

Nissin
DIGITAL

DIGITAL FLASH
CATALOGUE



“Lets Master Flash-Photo!”

HIGHPOWER FLASH

SPEEDLITE Di622

E-TTL
Canon

i-TTL
Nikon

TTL
COMPEN-
SATION
By Camera

REMOTE
FLASH
Digital Slave

AUTO
ZOOM

AF
ASSIST
LIGHT

MANUAL
CONTROL

TURNING
HEAD
UP & LEFT / RIGHT

ENERGY
SAVING



NISSIN SPEEDLITE Di622

For Canon Digital cameras
For Nikon Digital cameras

G.No.62(m)/205(ft)
(ISO200 at 105mm position)

G.No.44(m)/145(ft)
(ISO100 at 105mm position)



Di622 placed behind the object.

REMOTE FLASH

Di622 flashes by synchronizing to the camera's built-in flash or external flash which works as pre-flash digital system.

Place Di622 off camera, it flashes by wireless remote sensor system. Multiple flash lighting can easily be done within the area where Di622 can sense to the light or its reflection from the master flash placed on the camera.

You can choose one of 6 different powers for desirable lighting efficiency.

Use tripod, or table to place Di622. Shoe stand is included in the package.

* Di622 remote system does not respond to traditional flash system nor to studio flash light.

* Di622 remote system is not TTL exposure control.

BOUNCE LIGHTING

Bouncing the light is another technique to master the flash photography.

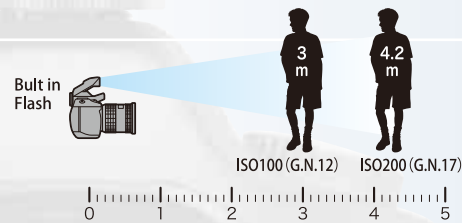
The flash head turns to any direction, 90° upward, 180° from side to side.

Use the small fill-in reflector built in the flash head. Bounce the light off the ceiling. A catch light into eye creates an impressive image, and a point sourcing light of flash is changed to the soft surface light from the ceiling.

This technology is often used and recommended for wedding snap, portrait photography and house party shots.

* The color of ceiling may reflect to the subject when bounce lighting.

Turn the flash head to right and bounce the light to ceiling.



Flash Distance

Formula: Distance = G.No. ÷ F.No.



HIGH POWER

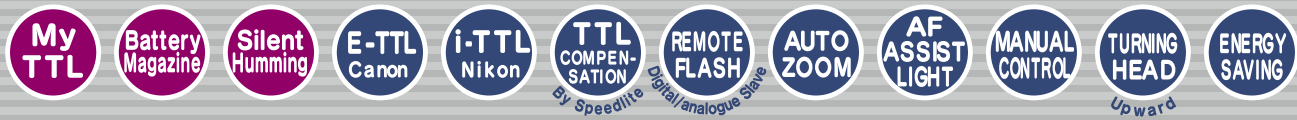
For long distance, you need more power. Flash in the camera is not enough.

Auto zoom reflector gathers the beam and shoots it to the longer distance.

Di622 can bright up the subject at 11 meter away at F4, whereas the flash in the camera can reach 3 meter or about. (ref. : ISO100)

For bounce lighting photography, or when using diffuser, high power is an essential factor.

MULTIFUNCTION FLASH SPEEDLITE Di466



NISSIN SPEEDLITE Di466

For Canon Digital cameras
For Nikon Digital cameras

G.No.46(m)/150(ft)
(ISO200 at 105mm position)
G.No.33(m)/109(ft)
(ISO100 at 105mm position)

NISSIN ORIGINAL FUNCTION

"MY TTL SETTING"



MY TTL SETTING

This unique custom setting system is Nissin's exclusive feature. TTL flash power level is pre-set for reasonable exposure at factory. You can however reset the power at your desirable exposure level by 1/4Ev increment. The pre-set "My TTL" is memorized after switch the unit off. The usual TTL flash level compensation works based on this customized level.

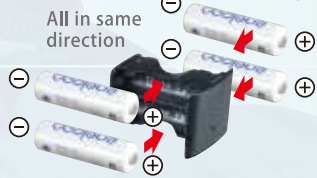
BATTERY MAGAZINE

For a quick battery loading, Di466 has a battery magazine system.

A convenient battery magazine provides all 4 batteries' slot in the same direction; so that the batteries can correctly be inserted without fail even in the poor light condition. Extra battery magazine is separately available.



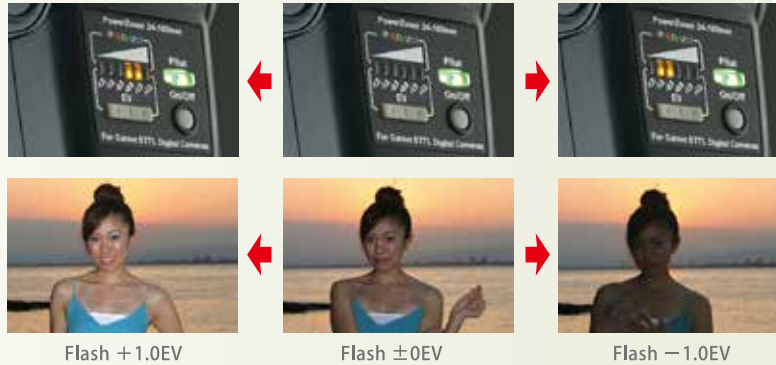
Quick loading



All in same direction

TTL FLASH EXPOSURE LEVEL COMPENSATION

Di466 can compensate the exposure value on the subject lighten up by flash. Keeping the exposure value of the back scene, you can adjust the exposure value on main subject only by TT flash exposure level compensation technology.(see sample pictures) Exposure value is often adjusted for respective scene, and Di466 can compensate only the main subject desired, by +/- 1.5Ev at every 0.5Ev step.



Flash +1.0EV

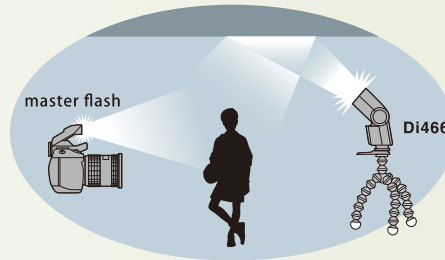
Flash ±0EV

Flash -1.0EV

SILENT OSCILLATION SOUND

A sharp humming from oscillator sometimes causes a sour moments time to time and it is even hated depend on the scene.

Nissin developed an unheard oscillation circuit which is an inaudible frequency to human acoustic sense. Focus on your job and share a joy of flash photo.



**What is digital slave?
analogue slave?**

● Di466 provides 2 slave function modes.

Flash mode	Master flash	Flash system
S1 (digital slave)	<ul style="list-style-type: none"> ● Digital camera's built-in flash ● External TTL flash for digital camera 	pre-flash system
S2 (analogue slave)	<ul style="list-style-type: none"> ● Flash at manual mode, Traditional external flash, Studio flash 	single flash (mainflash) only

DUAL PROGRAM REMOTE FLASH

Wireless remote flash system of Di466 works for either analogue(single flash) and digital (pre-flash) flash system. Variable power of 6 steps is available. Off camera flash photography offers you a different configuration of lighting image. Use multiple number of Di466 and enjoy professional flash technique. Tripod or shoe stand(standard accessory) is recommended to hold the flash unit stable.

* Di466 remote system is not TTL exposure control.

* The remote sensor of Di466 become insensitive under daylight.

COZY FLASH

SPEEDLITE Di28



NISSIN SPEEDLITE Di28

For Canon Digital cameras
For Nikon Digital cameras

G.No.28(m)/92(ft) (ISO200)
G.No.20(m)/66(ft) (ISO100)



Wide angle diffuser covers 20mm Wide angle lens.



FOR TOP LEVEL COMPACT CAMERAS

It fits cozy to compact hotshoe type cameras.

Di28 produces more than double power of camera's built-in flash and it covers the area and brightness as you are expecting.



FOR TOP LEVEL SLR CAMERAS

For professional photographers who carry non flash built-in SLR cameras.

Compact and light weight Di28 is what you are looking for. Its height is well considered for obstruction caused by a long lens.



ONE BUTTON

Di28 provides one operation button only. On/off and TTL exposure level compensation are controlled by this button. No troublesome handling. Simple to use, and it's the most recommended flash for the beginners of flash photography.

The color shows which mode you select. Power button changes the color of pilot lamp indicating the TTL compensation level. The chart refers the modes and the colors.

Power button	TTL compensation	Color of pilot lamp
Push 3 sec to switch on	±0EV	Green ●
Push again	-0.5EV	Blue ●
Push again	-1.0EV	Blue blinking ●
Push again	+0.5EV	Red ●
Push again	+1.0EV	Red blinking ●
Push again to return		



TTL Flash Exposure Level indication

TTL FLASH EXPOSURE LEVEL COMPENSATION

Di28 works in TTL flash mode only, which makes you free of mulling over the troublesome camera/flash setting works. It however can set flash exposure level up to +1.0Ev or down to -1.0Ev at every 0.5Ev step. When taking a bride and groom in white color wedding dress, plus compensation sharpens up the subject. For the contrast control the flash exposure compensation is one of the essential tools.

POCKET SIZED FLASH

A compact and light weight Di28 is well slipped into the pocket or the limited space in your pouch. Flash light built-in the camera may not be enough for long distance shot or group shot, and you wish if the light is a little more powerful. Keep Di28 always next to your camera, and you may get the picture well exposed.



In the hand bag



In the pocket



Mothering Care on Baby Lighting

Bounce the flash light off a ceiling, or use bouncer to soften the light, so that you don't frighten a baby. A point source light often damages the air, instead, surface source light lets us feel comfortable like a natural light. A direct light to a baby is not recommended since a strong flash light may frighten an infant child and hurt him at his eye.



Portrait with bounce flash

Di622 turns its head to sideways. A portrait photography is often taken in longitudinal frame. Turn the camera and flash to longwise direction, Di622 can bounce its light off the ceiling.



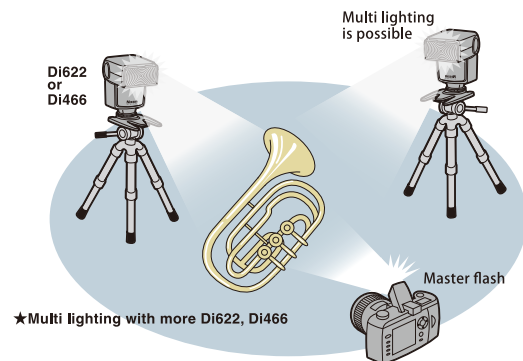
A Daylight Synchronization

Against the bright back ground, or under the shade of trees, flash works effectively. When camera sets the exposure level for bright back ground, the main subject is fairly darkened. Use fill-in flash technique to eliminate the darkened shadow and keep camera's exposure setting to the back ground condition. Well balanced exposure is obtained by daylight synch shot.(sample picture)



Off Camera Flash

Wireless remote flash technique is available on Di466 and Di622 in addition to the traditional on camera flash photography. You can place numbers of flash(called slave flash) to light up the subject from multiple directions. All flashes synchronize to the master flash(on camera flash) when it's triggered. The 6 variable power can be respectively set on these slave flash, you can produce a magic of lighting.



Slow shutter + Flash

In dim light condition, slow shutter synchronization is effective to capture a live image of whole scene. This slow shutter and flash combination is one of the basic flash technologies to portray a subject beautifully in night scene. Flash also freezes the moving subject while the slow shutter holds the back ground in dim light. (refer sample pictures /slow synch.) Use tripod if required.







× [Flash picture] Background becomes too dark





○ [Slow synch.] Back ground is well atmospheric

★CAMERA/FLASH CORRELATION CHART IS AVAILABLE AT NISSIN'S WEBSITE WHICH ANNOUNCES THE LATEST INFORMATION UP-DATED TIME TO TIME

SPEEDLITE Di622	Guide Number	Distance when setting F4	Angle of Illumination	Power Source	Dimensions
 <p>SPEEDLITE Di622 Canon 4938574622617 Nikon 4938574622624</p>	62m, 205ft (ISO200 at 105mm) 44m, 145ft (ISO100 at 105mm)	15m, 49ft (ISO200 at 105mm) 11m, 36ft (ISO100 at 105mm)	24-105 mm auto zooming 16 mm with wide angle diffuser	4 x AA battery Alkaline, NiMH, Lithium, Oxyride	130x77x103 mm 51x30x40 inch
	Recycle Time	Flash power control system	Turning Head	Other Specifications	
	4 sec. (NiMH battery) 4.7 sec. (Alkaline battery)	E-TTL, E-TTL II for Canon i-TTL for Nikon Manual Power (FULL-1/2-1/4-1/8-1/16-1/32) Slave flash (FULL-1/2-1/4-1/8-1/16-1/32)	Upward 90° (0°, 45°, 60°, 90°) to Left 90° (0°, 30°, 60°, 90°) to Right 90° (0°, 30°, 60°, 90°) fill-in lighting panel is installed	Color Temperature: 5600°K Energy saving auto off circuit Slave synch. to Digital flash system	
	Number of Flashes	TTL flash level compensation	AF Assist light	Accessories	
	200~1500 times (Alkaline batt.)	to set by the camera	Red LED for 0.7~6m	Soft Pouch Flash Stand with tripod screw	
			Weight		
					315gr. w/o battery

SPEEDLITE Di466	Guide Number	Distance when setting F4	Angle of Illumination	Power Source	Dimensions
 <p>SPEEDLITE Di466 Canon 4938574466617 Nikon 4938574466624</p>	46m, 150ft (ISO200 at 105mm) 33m, 109ft (ISO100 at 105mm)	11m, 37ft (ISO200 at 105mm) 8m, 26ft (ISO100 at 105mm)	24-105 mm auto zooming 18 mm with wide angle diffuser	4 x AA battery Alkaline, NiMH, Lithium, Oxyride	105x67x95mm 41x21x37 inch
	Recycle Time	Flash power control system	Turning Head	Other Specifications	
	3.8 sec. (NiMH battery) 4.5 sec. (Alkaline battery)	E-TTL, E-TTL II for Canon i-TTL for Nikon Manual Power (FULL-1/2-1/4-1/8-1/16-1/32) Slave flash (FULL-1/2-1/4-1/8-1/16-1/32)	Upward 90° (0°, 45°, 60°, 90°) fill-in lighting panel is installed	Color Temperature: 5600°K Energy saving auto off circuit Slave synch. to Digital flash system Slave synch. to Analogue flash system	
	Number of Flashes	TTL flash level compensation	AF Assist light	Accessories	
	200~1500 times (Alkaline batt.)	by flash : ±1.5Ev at 0.5Ev. Steps or to set by the camera	Orange LED for 0.7~6m	Soft Pouch Flash Stand with tripod screw	
			Weight		
					240gr. w/o battery

SPEEDLITE Di28	Guide Number	Distance when setting F4	Angle of Illumination	Power Source	Dimensions
 <p>SPEEDLITE Di28 Canon 4938574028617 Nikon 4938574028624</p>	28m, 92ft 20m, 66ft	7m, 23ft 5m, 16ft	28 mm 20mm with wide angle diffuser	2 x AA battery Alkaline, NiMH, Lithium, Oxyride	92x58x37mm 36x23x14.5inch
	Recycle Time	Flash power control system	Turning Head	Other Specifications	
	4 sec. (NiMH battery) 5.5 sec. (Alkaline battery)	E-TTL, E-TTL II for Canon i-TTL for Nikon	Not available	Color Temperature: 5600°K Energy saving auto off circuit	
	Number of Flashes	TTL flash level compensation	AF Assist light	Accessories	
	70~1500 times (Alkaline batt.)	by flash : ±1.0Ev at 0.5Ev. Steps or to set by the camera	Not provided	Soft Pouch Wide angle diffuser	
			Weight		
					100gr. w/o battery

Accessories

Universal Shoe Cord SC-01

Off Camera TTL Cord having multi-hotshoe contacts, available for Canon, Fuji, Nikon, Pentax, Sony and Samsung hotshoe cameras when using it with such respective dedicated flash units.



Length of cord:
30cm when folded
150cm when expanded

4938574830012

Battery Magazine BM-01

A battery magazine for Nissin Di466 is separately available. Keep one extra with your flash for an easy and quick reloading.



4938574001917

Nissin

Nissin Marketing Ltd.
www.nissindigital.com Hong Kong

Nissin Japan Ltd.
www.nissin-japan.com Tokyo, Japan

● LOCAL DISTRIBUTOR: